



RoHS Compliant

35.5 x 25.5 x 21.0 mm

## Features

- Switching capacity up to 40A
- Accommodates standard sized automotive fuse
- Standard automotive relay footprint
- Suitable for automobile and lamp applications
- Metal mounting tab

## Contact Data\*

|                     |                        |
|---------------------|------------------------|
| Contact Arrangement | 1A = SPST N.O.         |
| Contact Rating      | 40A @ 14VDC            |
| Contact Resistance  | < 50 milliohms initial |
| Contact Material    | AgSnO <sub>2</sub>     |

|                           |       |
|---------------------------|-------|
| Maximum Switching Power   | 560W  |
| Maximum Switching Voltage | 75VDC |
| Maximum Switching Current | 40A   |

## Coil Data\*

| Coil Voltage VDC |      | Coil Resistance Ω +/- 10% | Pick Up Voltage VDC (max) | Release Voltage VDC (min) | Coil Power W | Operate Time ms | Release Time ms |
|------------------|------|---------------------------|---------------------------|---------------------------|--------------|-----------------|-----------------|
| Rated            | Max  |                           | 70% of rated voltage      | 10% of rated voltage      |              |                 |                 |
| 12               | 15.6 | 1.8W                      | 8.40                      | 1.2                       | 1.80         | 7               | 5               |
| 24               | 31.2 | 320                       | 16.80                     | 2.4                       |              |                 |                 |

## General Data\*

|                                      |                                   |
|--------------------------------------|-----------------------------------|
| Electrical Life @ rated load         | 100K cycles, average              |
| Mechanical Life                      | 10M cycles, average               |
| Insulation Resistance                | 100M Ω min. @ 500VDC initial      |
| Dielectric Strength, Coil to Contact | 750V rms min. @ sea level initial |
| Contact to Contact                   | 500V rms min. @ sea level initial |
| Shock Resistance                     | 100m/s <sup>2</sup> for 11 ms     |
| Vibration Resistance                 | 1.27mm double amplitude 10~40Hz   |
| Terminal (Copper Alloy) Strength     | 8N                                |
| Operating Temperature                | -40°C to +85°C                    |
| Storage Temperature                  | -40°C to +155°C                   |
| Solderability                        | 260°C for 5 s                     |
| Weight                               | 32g                               |

\* Values can change due to the switching frequency, desired reliability levels, environmental conditions and in-rush load levels. It is recommended to test actual load conditions for the application. It is the user's responsibility to determine the performance suitability for their specific application. The use of any coil voltage less than the rated coil voltage may compromise the operation of the relay.

\*\* For continuous operation longer than 30 minutes, no more than 20A carry current is recommended.

# A9

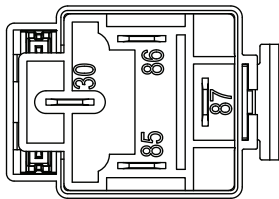
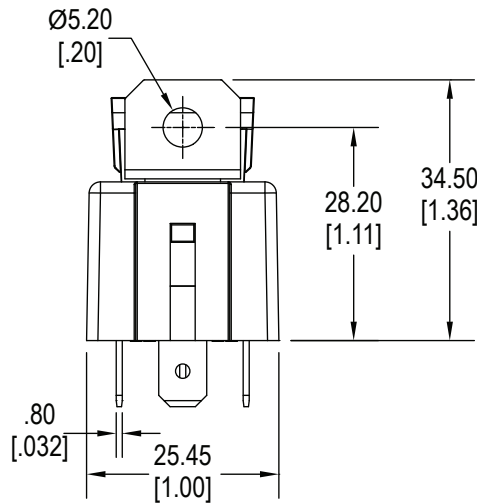
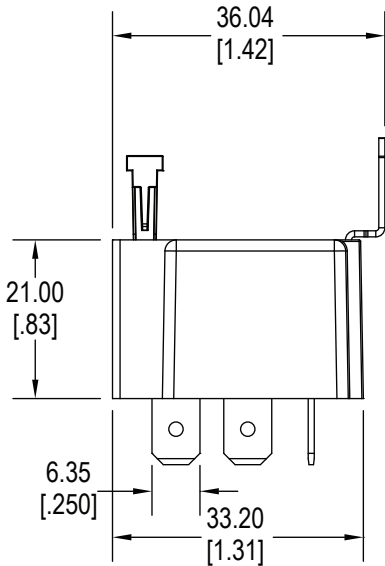


## Ordering Information

|                        |                            |    |   |       |
|------------------------|----------------------------|----|---|-------|
| 1. Series              | A9                         | 1A | C | 12VDC |
| 2. Contact Arrangement | 1A = SPST N.O.             |    |   |       |
| 3. Sealing Option      | C = Dust Cover             |    |   |       |
| 4. Coil Voltage        | 12VDC<br>24VDC             |    |   |       |
| 5. Fuse Option         | 30A fuse supplied standard |    |   |       |

## Dimensions

Units = mm



## Schematics

Bottom View

