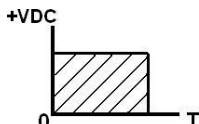
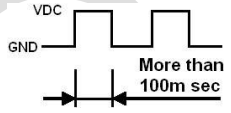


1. SPECIFICATION

AD-1005S-BM

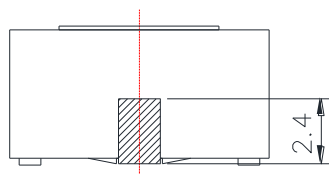
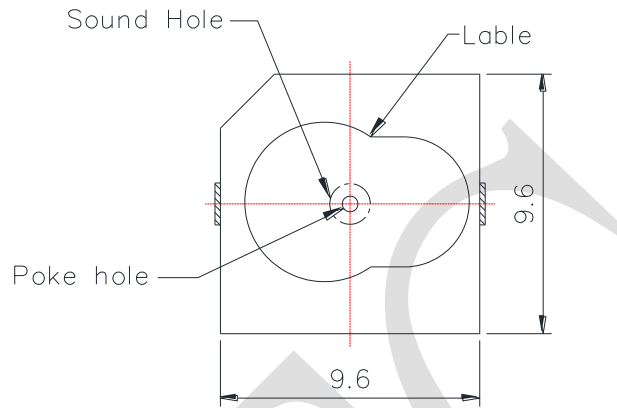
ITEM		UNITS	SPECIFICATIONS	CONDITIONS
01	Rated Voltage	V	5	
02	Operating Voltage	V	4~ 8	
03	Consumption Current	mA (Max)	30	Rated Voltage
04	Resonant Frequency	Hz	2700± 300	Rated Voltage
05	Response times	ms	≥ 100	

REV NO.

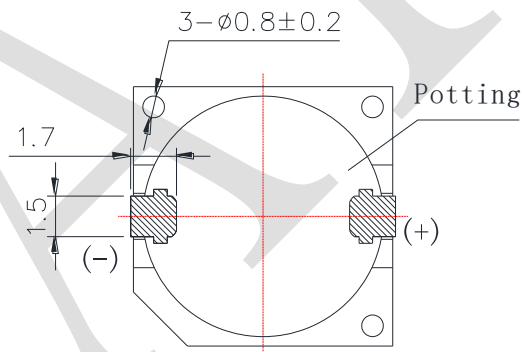
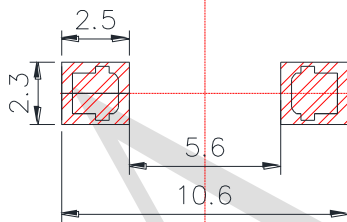
REVISION NOTE

APPROVAL

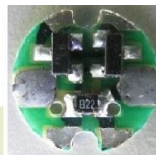
DATE



RECOMMENDED PCB LAYOUT



EU RoHS 2 Annex III Exemption list



RoHS

7(a) Lead in high melting temperature type solders (i.e. lead-based alloys containing 85 % by weight or more lead).

TITLE: SOUND TRANSDUCER (SMD)		DRAWN: Zack	2018/08/20	SCALE: 1:1	SHEET: 1 : 1
PART NO. AD-1005S-BM		DESIGNED: R & D OF AAT		UNITS: mm	
DWG NO. FDM-2004 SMD-096050F-05027BJ		CHECKED:		TOLERANCE ± 0.5	
		APPROVAL:		UNLESS OTHERWISE SPECIFIED: ONE PLACE DECIMAL ± *** TWO PLACE DECIMAL ± *** THREE PLACE DECIMAL ± ***	
	4	MATERIAL: PPS			



ADVANCED ACOUSTIC TECHNOLOGY CORPORATION

For more information, please contact AATC.

AATC