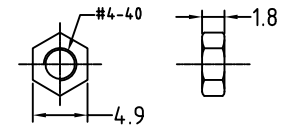
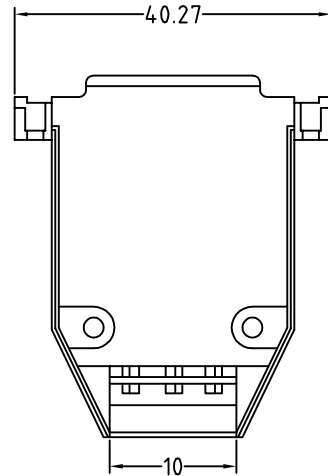
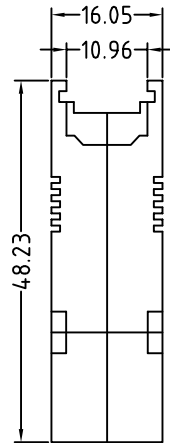
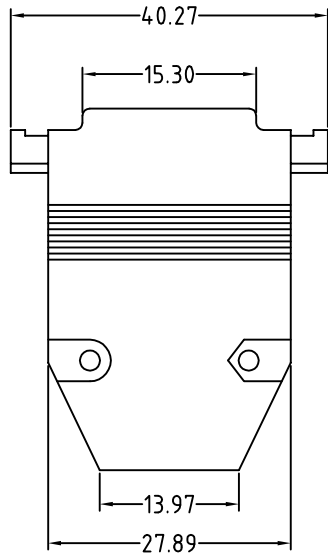
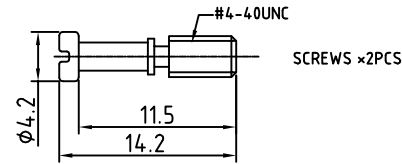


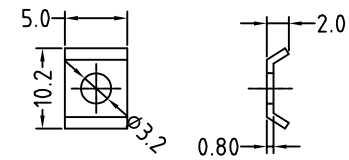
SIGN	DATE	DESCRIPTION	APPROVER
		<i>THIS IS CAD DRAWING, DO NOT REVISE MANUALLY!!!</i>	



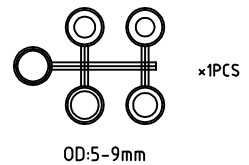
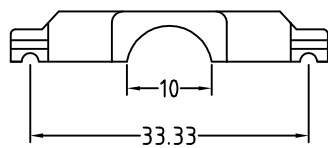
NUT x2PCS



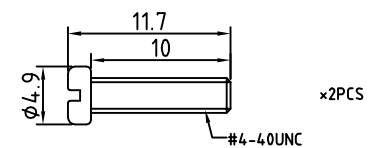
SCREWS x2PCS



x2PCS



OD:5-9mm



x2PCS

**SPECIFICATIONS:**  
 Shell: Zinc Alloy, Nickel Plated Overall  
 Accessories (2Pcs/Set): Steel  
 Nickel Plated Overall  
 A For Cable Dim.  
 A:  $\varnothing 10.0$  ;  $\varnothing 12.0$  ;  $\varnothing 14.0$  ;  $\varnothing 16.0$   
 RoHS Compliant

THESE DRAWINGS AND SPECIFICATIONS ARE THE PROPERTY OF ON-SHORE TECHNOLOGY, INC. AND SHALL NOT BE REPRODUCED, COPIED OR USED IN ANY MANNER WITHOUT THE PRIOR WRITTEN CONSENT OF ON-SHORE TECHNOLOGY, INC.



TITLE		DCM Series - Metalized Hood, 15 pin, short screw, grommets			
PART NO.		DCMG-15S		DWG NO. DCMG-15S.DWG	
APPROVED	CHECKED	DESIGNED	DRAWN	1200	
		Betty 2014.01.27	Karen 2014.01.27	TOLERANCE	
				UNIT: mm	
				SCALE: NONE	
				x.x ±0.15	
				x.xx ±0.30	
SHEET: 01/01				REV.: A	