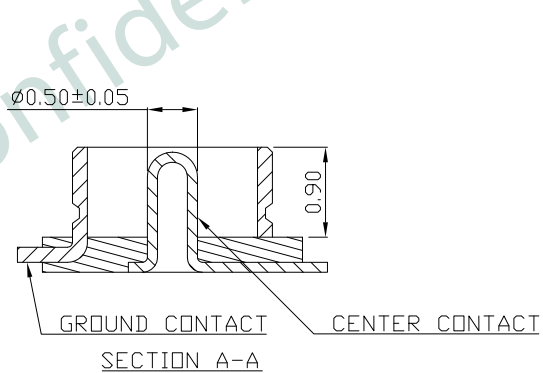
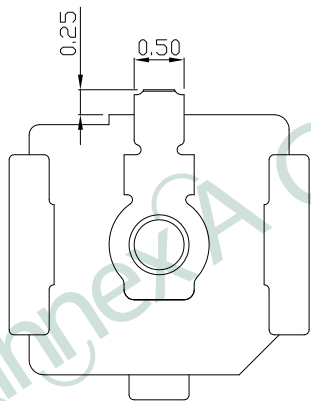
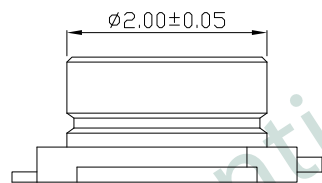
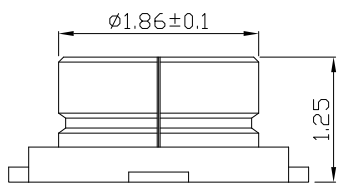
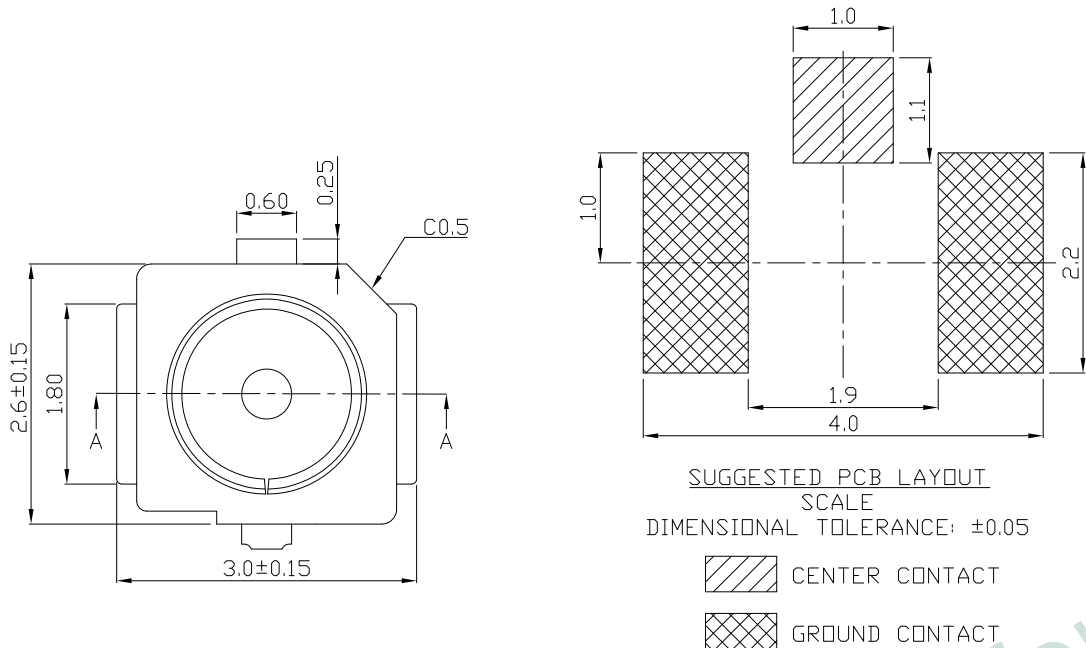


1. MECHANICAL DIMENSIONS :

REV.	DATE	DESCRIPTION
01	Mar. 26, '19	1st RELEASE

NOTES:

- MATERIAL:  
HOUSING: THERMOPLASTIC, UL94V-0, COLOR-NATURE  
CENTER CONTACT: COPPER ALLOY  
GROUND CONTACT: COPPER ALLOY
- FINISH:  
CENTER CONTACT: GOLD PLATING, 50u" MIN. NICKEL UNDERPLATING  
GROUND CONTACT: GOLD PLATING, OR 100u" MIN. SILVER PLATING, 50u" MIN. NICKEL UNDERPLATING OVERALL
- APPLIED TO IR SOLDERING PROCESS
- COPLANARITY: 0.10mm MAX.
- UNSPECIFIED TOLERANCE: .XX ±0.25[0.010]  
.X ±0.30[0.012]

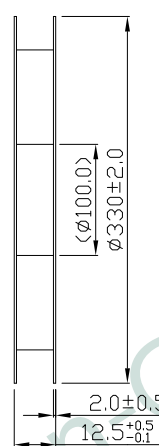
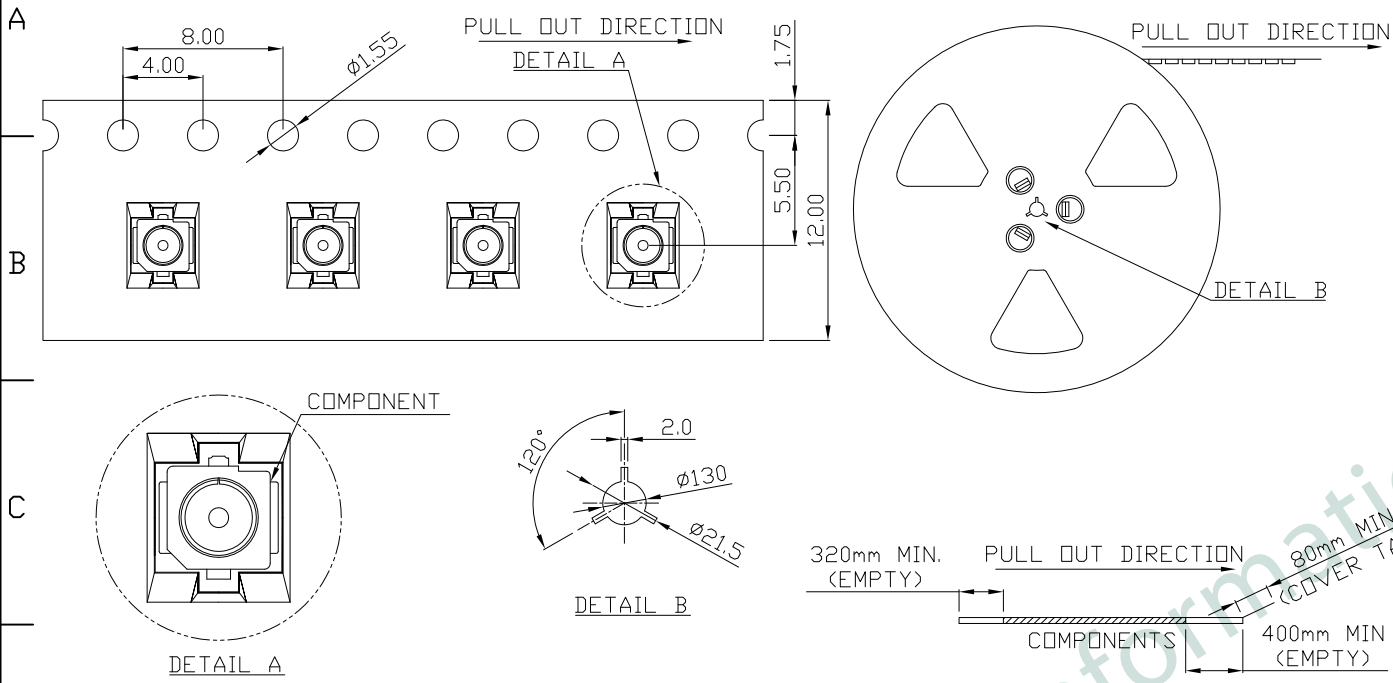


KMRF-1-H7-RC-000-XXX

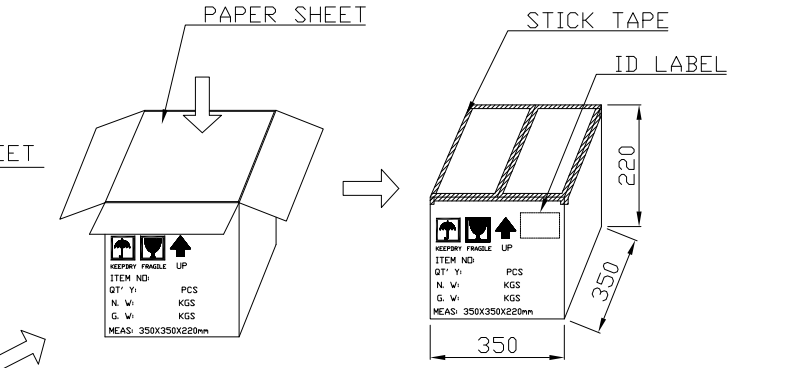
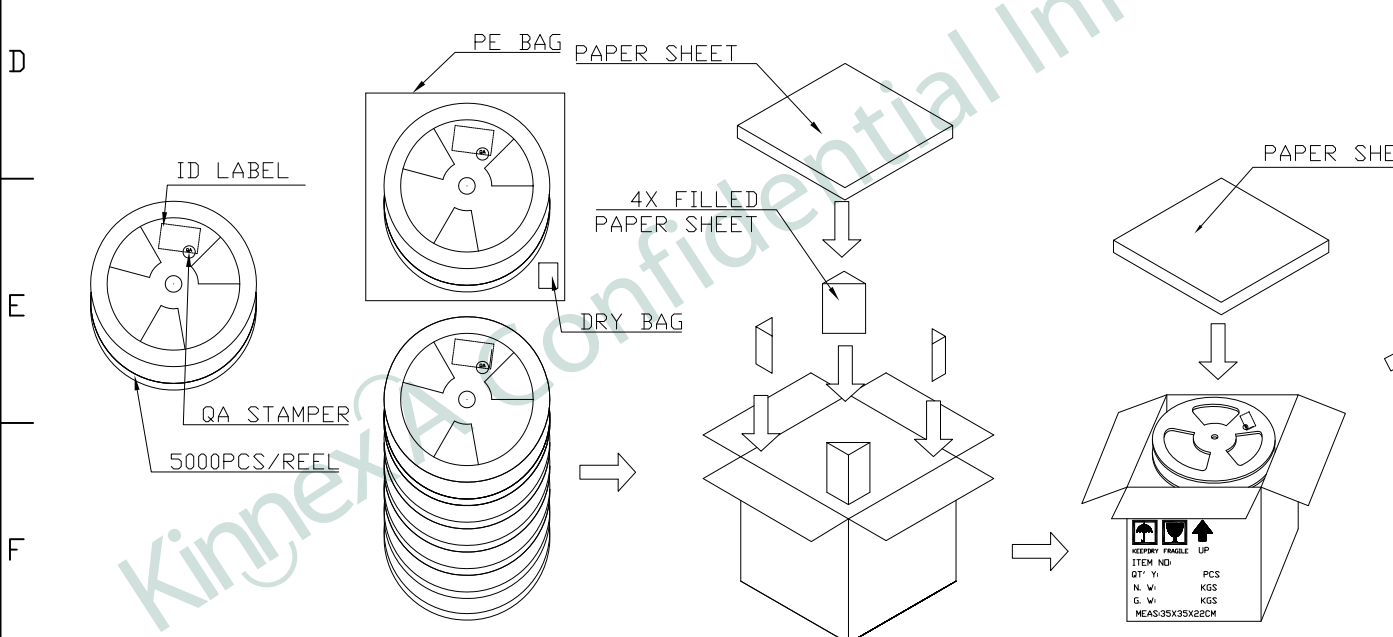
SERIES I: MRF I SERIES  
HEIGHT H7: 1.25mm  
RC: RECEPTACLE  
CABLE OD  
CUSTOMER CODE

PART NO		KMRF-1-H7-RC-000-XXX		
TITLE	MRF I CONNECTOR RECEPTACLE			
REV : 01				
UNIT	DRAWN	CHKD	DATE	SHEET
mm[inch]	CINDY	VINCENT	Mar. 26, '19	1 of 2

**2. PACKING SPECIFICATION:**



- NOTES:
- MATERIAL:
    - 1.1 EMBOSSED CARRIER: PS
    - 1.2 COVER TAPE: PET
    - 1.3 SHIPPING CARTON: CORRUGATED FIBER
  - DIMENSION:
    - 2.1 REEL: W=12.5
    - 2.2 SHIPPING CARTON: L=350, W=350, H=220
  - QUANTITY:
    - 3.1 PRIMARY PACKING: 5,000PCS/ REEL
    - 3.2 SECONDARY PACKING: 10REELS/ CARTON<50,000PCS>
  - WEIGHT:
    - 4.2 NET WEIGHT: 0.077KG/ REEL, 0.77KG/ CARTON
    - 4.1 GROSS WEIGHT: 0.54KG/ REEL, 6.4KG/ CARTON
  - PEELING RESISTANCE: 10gf~130gf.
  - LEAD TAPE LENGTH



PART NO		KMRF-1-H7-RC-000-XXX		
TITLE	MRF I CONNECTOR RECEPTACLE			
REV : 01				
UNIT	DRAWN	CHKD	DATE	SHEET
mm[inch]	CINDY	VINCENT	Mar. 26, '19	2 of 2