

Low Profile Mag Mount Antenna

LPBEM-6-60



- Rugged low profile design
- Covers global cellular / LTE bands 617-960 / 1710-6000 MHz
- Magnetic mount

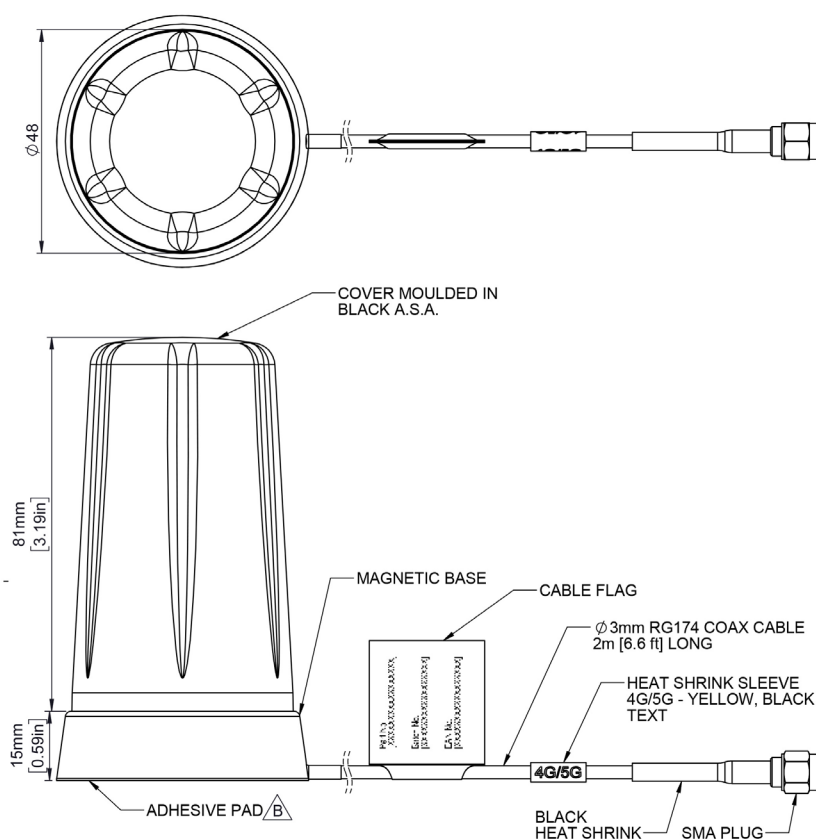
The Panorama LPBEM-6-60 is a range of low cost high performance magnetic mount antennas for temporary fit applications. At only 95mm (3.7") high and protected by a robust high impact radome the antenna is almost impervious to daily wear and tear.

The LPBEM offers excellent performance across a wide bandwidth. The LPBEM covers global cellular and LTE frequencies from 617-960 MHz and 1710-6000 MHz making it an extremely versatile product. Although intended for magnetic mounting on a conductive ground plane the antenna can also be used for desk mounting applications with some impact on performance.

Supplied with a convenient length of flexible RG174 cable the LPBEM is easy to install and compatible with a large range of modems. Multiple units can be deployed suitably separated for MiMo applications.

Technical Drawing

LPBEM-6-60-2SP shown



Low Profile Mag Mount Antenna

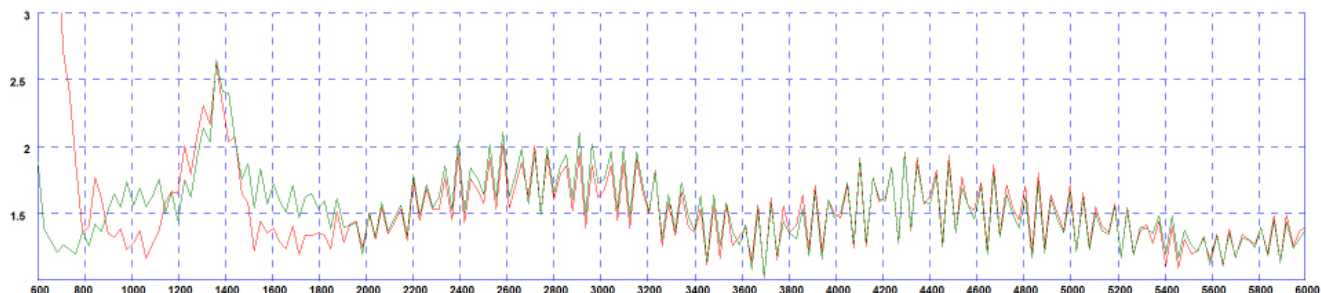
LPBEM-6-60

Product Data

Part No.	LPBEM-6-60-2SP	LPBEM-6-60-5SP
Electrical Data		
Frequency Range (MHZ)	617-960 / 1710-6000	617-960 / 1710-6000
Peak Gain (excluding cable loss measured on a ground plane)	617-960 MHz	3dBi
	1710-2170 MHz	4dBi
	2170-2700 MHz	5dBi
	3400-3800 MHz	6dBi
	4000-6000 MHz	8dBi
Typical VSWR*	<2.5:1	
Polarisation	Vertical	
Pattern	Omni-directional	
Impedance	50Ω	
Max Input Power (W)	25	
Mechanical Data		
Dimensions (mm)	Height	96 (3.7")
	Diameter	48 (1.89")
Operating Temp (°C)	-40°/+80°C (-40°/176°F)	
Material	UV stable ASA & Aluminium	
Colour	Black	
Ingress Protection	Equivalent to IPX6	
Mounting Data		
Fixing	Magnetic mount	
Max Speed (KM/h)	160 (100 Mph)	
Cable Data		
Cable Type	RG174	
Cable Diameter (mm)	2.8 (0.1")	
Cable Length (m)	2 (6'6")	5 (16')
Connector	SMA (M)	

Electrical Data - Cell

Typical VSWR*



*VSWR measured on 400x400 ground plane with 2m (6'6") cable.

- Green Line - Ground Plane
- Red Line - Free Space